



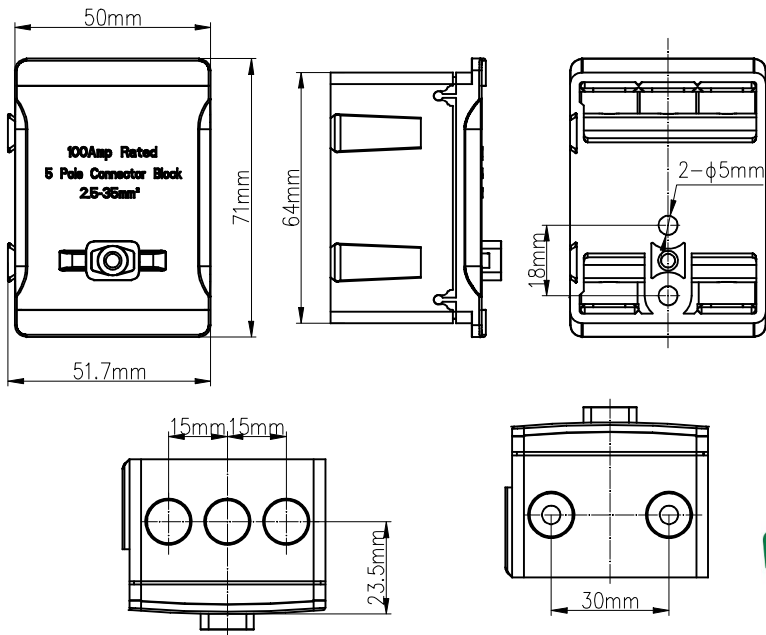
## WTB5 Terminal block

### Description

WTB5 100A 5 Way terminal block is designed to accommodate cables ranging from 2.5 mm<sup>2</sup> to 35 mm<sup>2</sup>, making it suitable for a wide range of applications. Its versatile design allows for easy connection of multiple cables, while its lockable feature and sealable lid provide added security. It comes with blanking pieces, allowing you to seal off unused connection points, ensuring optimal safety. Its hexagon screw ensures that the connections are firmly held in place, providing a reliable and stable connection. Ideal for your electrical connection needs.

### Main features

- 1) 5 way 100A rated connector block
- 2) Lockable design, can be locked with wire seal
- 3) With five connection points, you can easily connect cables
- 4) Suitable for 2.5mm<sup>2</sup> to 35mm<sup>2</sup> cables
- 5) Unique design allows you to join multiple terminal blocks together
- 6) Available in 5 colours (brown, grey, black, blue & green)
- 7) Hexagon screw providing a reliable and stable connection
- 8) Recommended Torque: 3 Nm



Part No.	Description
WTB5-BR	5Way 100A single pole terminal block brown
WTB5-GY	5Way 100A single pole terminal block grey
WTB5-BK	5Way 100A single pole terminal block black
WTB5-BL	5Way 100A single pole terminal block blue
WTB5-GN	5Way 100A single pole terminal block green

### Technical Data

Standard	BS 7657:2022
Terminal cable capacity	2.5mm <sup>2</sup> - 35mm <sup>2</sup>
Frequency	50Hz
Rated current	100A
Cable entry	3 holes on the top, 2 holes on the bottom
Lockable	Yes with Wire Seal
Screw type	hexagon screw
Torque	3 Nm
Compliance	Low Voltage Directive 2014/35/EU



Recommended single phase colour



Optional 3 phase systems coloured mouldings