

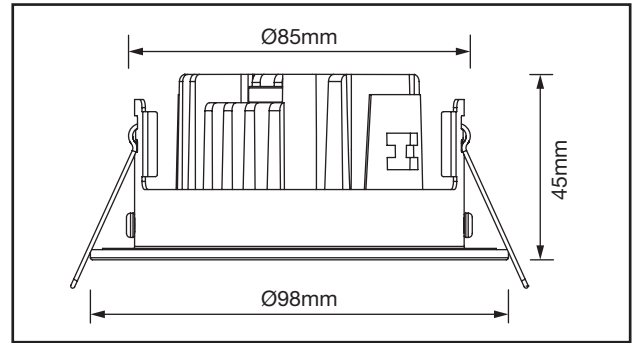
AFD110ADJD

Adjustable 10W IP44 Dimmable
LED Fire Rated Downlight



PRODUCT FEATURES

- 30, 60, 90 Minutes Timber Joist Fire Rated
- Compliant To; Part B - Fire, Part C - Moisture, Part E - Acoustic & Part L1 - Air Leakage
- IP44 Rated
- Dimmable
- Integrated 10W CREE COB LED
- 30° Maximum Tilt
- Halogen Style Lens
- Interchangeable Twist & Lock Bezels



Standard
AFD110ADJD/**

DALI
AFD110ADJD/**/DALI

TECHNICAL SPECIFICATIONS

PRODUCT CODE	AFD110ADJD/30	AFD110ADJD/40
Luminous Flux (LM)	980lm	1000lm
Useful Luminous Flux (LM)	860lm	880lm
CCT (Kelvin)	3000K	4000K
Beam Angle (°)	40°	40°
SDCM	<4	<4
CRI	80	80
Peak Intensity (cd)	1860	1880
Operating Voltage (VAC)	220-240V	220-240V
Max Output Power (W)	10W	10W
Class	II	II
Body Material	Cast Aluminium	Cast Aluminium
Cut Out	65mm	65mm
Frame Colour	White + Black	White + Black
Switching Cycles	≤100,000	≤100,000
Ingress Protection	IP44	IP44
Ambient Operating Temperature (°C)	-20~+45°C	-20~+45°C
Input Frequency (Hz)	50/60Hz	50/60Hz
Guarantee	3 Years	3 Years
Dimmable	Yes	Yes
Lifetime (L70 B50)	> 50,000 Hrs	> 50,000 Hrs
R9 Colour Rendering Index Value	66	66
Lumen Maintenance Factor	96%	96%

ACCESSORIES*

**Trimless
Plaster-In Kit**
AFD110ADJTK
120 mm Cutout



*Sold Separately

Bezels



AFD110ADJBZ/WH



AFD110ADJBZ/PC



AFD110ADJBZ/SN



AFD110ADJBZ/MW

