

ABD16/CCT

16W IP65 IK10 CCT Selectable
LED Bulkhead

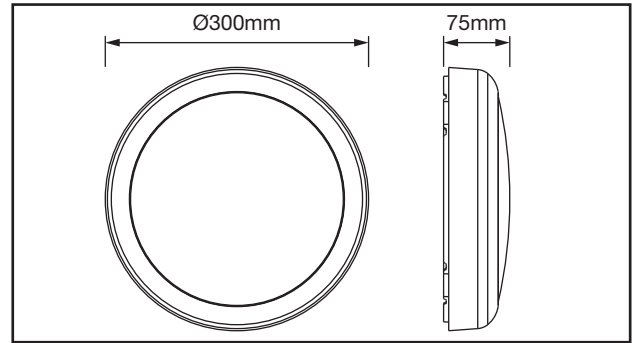
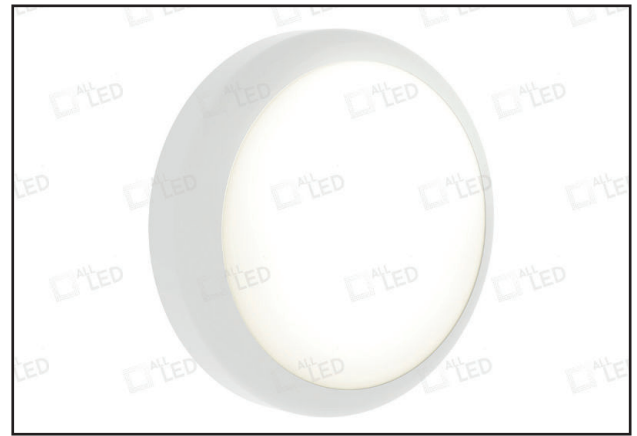


PRODUCT FEATURES

- IP65 Rating
- CCT Selectable (3000K/4000K/6000K)
- IK10 Rating - Vandal Resistant Design
- Suitable For Indoor, Outdoor & Coastal Applications
- 2-In-1 Bulkhead Or Drum Light Option
- Four Side Conduit Entries For Easy Installation
- Shatterproof Polycarbonate Body
- Captive Screws Included
- Suitable For Wall & Ceiling Mounting
- Besa Box Mounting
- White Ring Bezel Included
- Available Accessories: Satin Silver, Polar White, Carbon Black, Rose Gold & Gold Bezel Ring, Cross Grill & Eyelid Bezels*
- 5 Year Guarantee
- Suitable For Installation With Or Without Ring Bezel For Drum Style Bulkhead

Scan For Instructions

ABD16/CCT 	ABD16/CCT/EM
ABD16/CCT/COR 	ABD16/CCT/COR/EM
ABD16/CCT/MS 	ABD16/CCT/MS/EM



TECHNICAL SPECIFICATIONS

Bulkhead Specifications				Corridor Sensor	
Luminous Flux (LM)	2130	2320	2270	Detection Range	50%, 100% (4-10M)
Useful Luminous Flux (LM)	2130	2320	2270	Hold Time	5s, 90s, 3min, 10min
CCT (Kelvin)	3000K	4000K	6000K	Daylight Sensor	10Lux or Disable
Peak Intensity	673	742	726	Microwave Sensor	
GRI		>80		Detection Range	10%, 25%, 50%, 75%, 100% (2-12M)
Beam Angle (°)		115°		Hold Time	5s, 30s, 90s, 3min, 20min, 30min
Operating Voltage (Vac)		220-240Vac		Daylight Sensor	2Lux, 10Lux, 25Lux, 60Lux or Disable
Operating Current (A max)		0.092A		Emergency Specifications	
Max Output Power		16W		Emergency Power	1.2W
Power Factor (Pf)		0.79		Emergency Duration	3 Hours
No Load Power (W)		≤0.5W		Emergency Light Output	150lm
Efficiency %		94%		Battery Type	LiFePO4
Driver Max Output Current (mA)		180mA		Battery Voltage (DCV)	3.2Vdc
Driver Max Output Voltage (Vdc)		89Vdc		Battery Current (mAh)	1500mAh
Class		II		Charging Current (A)	0.3A
Body Material		Polycarbonate		Charging Voltage (DCV)	3.65Vdc
Frame Colour		White			
Switching Cycles		50,000			
Ingress Protection		IP65			
Ambient Operating Temperature (°C)		-20°C~45°C			
Input Frequency (Hz)		50/60Hz			
Guarantee		5 Years			
Lifetime (L70 B50)		50,000H			
IK Rating		IK10			
Displacement Factor		≥0.7			
Flicker Metric (PstLM)		≤1.0			
Stroboscopic Effect Metric (SVM)		≤0.4			
Energy Rating		E			

Standard
ABD16/CCT

Emergency Version
ABD16/CCT/EM

Emergency + Corridor Version
ABD16/CCT/COR/EM

Corridor Sensor
ABD16/CCT/COR

Microwave Version
ABD16/CCT/MS

Microwave + Emergency Version
ABD16/CCT/MS/EM



*Sold Separately