

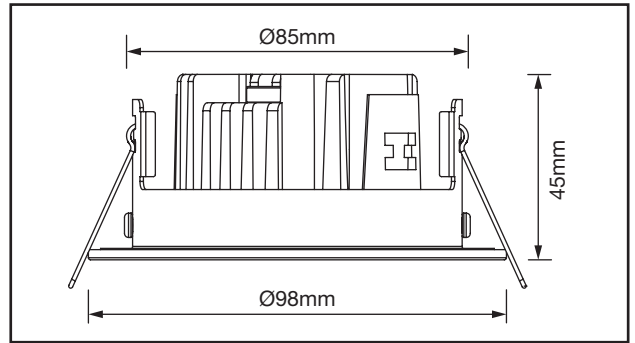
AFD110ADJD

Adjustable 10W IP44 Dimmable
LED Fire Rated Downlight



PRODUCT FEATURES

- 30, 60, 90 Minutes Timber Joist Fire Rated
- Compliant To; Part B - Fire, Part C - Moisture, Part E - Acoustic & Part L1 - Air Leakage
- IP44 Rated
- Dimmable
- Integrated 10W CREE COB LED
- 30° Maximum Tilt
- Halogen Style Lens
- Interchangeable Twist & Lock Bezels



Standard
AFD110ADJD/**

DALI
AFD110ADJD/**/DALI

TECHNICAL SPECIFICATIONS

| PRODUCT CODE | AFD110ADJD/30 | AFD110ADJD/40 |
|------------------------------------|----------------|----------------|
| Luminous Flux (LM) | 980lm | 1000lm |
| Useful Luminous Flux (LM) | 860lm | 880lm |
| CCT (Kelvin) | 3000K | 4000K |
| Beam Angle (°) | 40° | 40° |
| SDCM | <4 | <4 |
| CRI | 80 | 80 |
| Peak Intensity (cd) | 1860 | 1880 |
| Operating Voltage (VAC) | 220-240V | 220-240V |
| Max Output Power (W) | 10W | 10W |
| Class | II | II |
| Body Material | Cast Aluminium | Cast Aluminium |
| Cut Out | 65mm | 65mm |
| Frame Colour | White + Black | White + Black |
| Switching Cycles | ≤100,000 | ≤100,000 |
| Ingress Protection | IP44 | IP44 |
| Ambient Operating Temperature (°C) | -20~+45°C | -20~+45°C |
| Input Frequency (Hz) | 50/60Hz | 50/60Hz |
| Guarantee | 3 Years | 3 Years |
| Dimmable | Yes | Yes |
| Lifetime (L70 B50) | > 50,000 Hrs | > 50,000 Hrs |
| R9 Colour Rendering Index Value | 66 | 66 |
| Lumen Maintenance Factor | 96% | 96% |

ACCESSORIES*

**Trimless
Plaster-In Kit**
AFD110ADJTK
120 mm Cutout



*Sold Separately

Bezels



AFD110ADJBZ/WH



AFD110ADJBZ/PC



AFD110ADJBZ/SN



AFD110ADJBZ/MW

