



LED2106
LED2107



LED3106
LED3107
LED3108

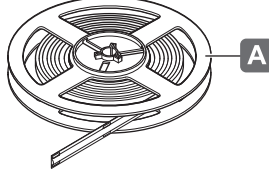
833.74.520
833.74.521
833.74.525
833.74.526
833.76.530

833.76.531
833.76.532
833.76.535
833.76.536
833.76.537

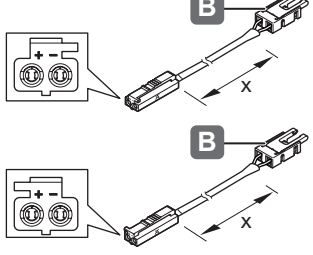
System	12V System / 24V System	W/m	max. (m)					mm/in	T _A	②
			20W	40W	60W	90W	120W			
12V	LED2106	4.8	4.1	8.3	12.5			5000x8x1.9/ 196.85x0.31x0.07	-20°C– +45°C	Tunable white, 2-wire technology, 2700- 5000K
	LED2107	9.6	2.0	4.1	6.2					
24V	LED3106	4.8	4.1	8.3	12.5	18.7	25.0	5000x8x1.9/ 196.85x0.31x0.07	-4°F– +113°F	
	LED3107	9.6	2.0	4.1	6.2	9.3	12.5			
	LED3108	14.4	1.3	2.7	4.1	6.2	8.3			

732.28.376



+

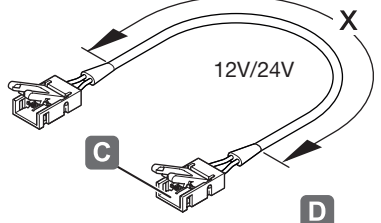


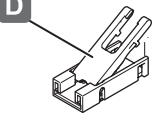
x	12V
100/3.93	833.74.694
500/19.68	833.74.695
2000/78.74	833.74.696

x	24V
100/3.93	833.75.762
500/19.68	833.75.763
2000/78.74	833.75.764

HDE 14.03.2024

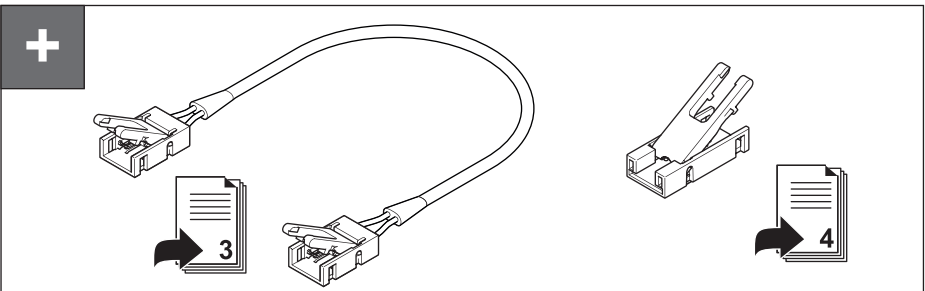
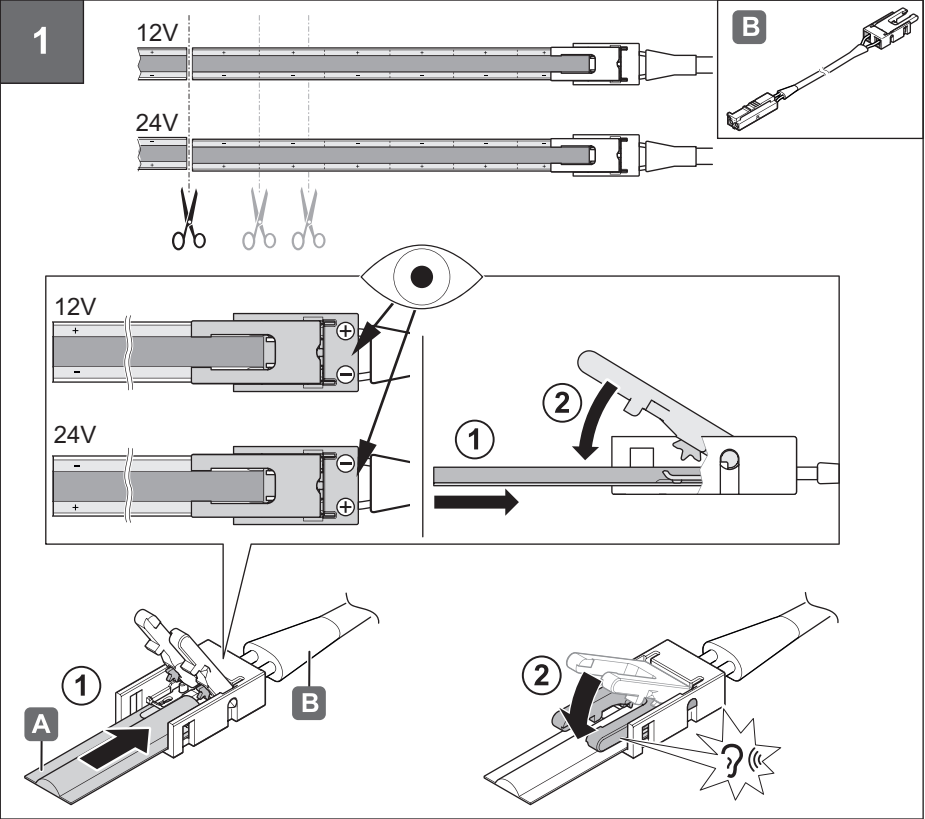
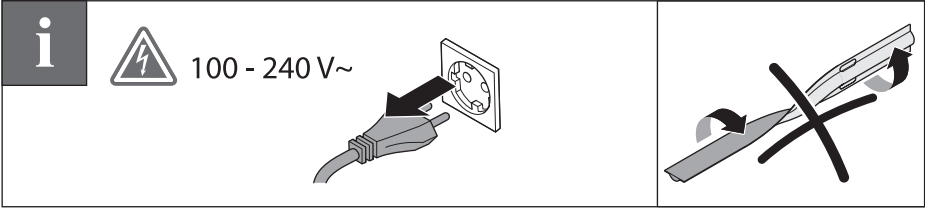
+





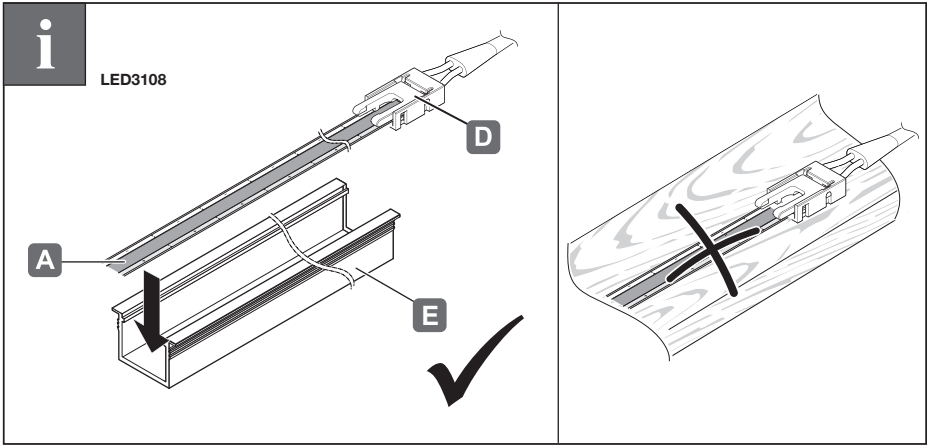
833.75.767

x	12V/24V
50/1.97	833.75.765
2000/78.74	833.75.766

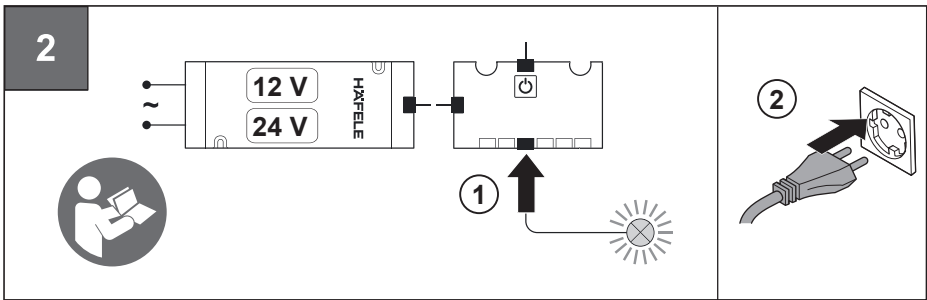


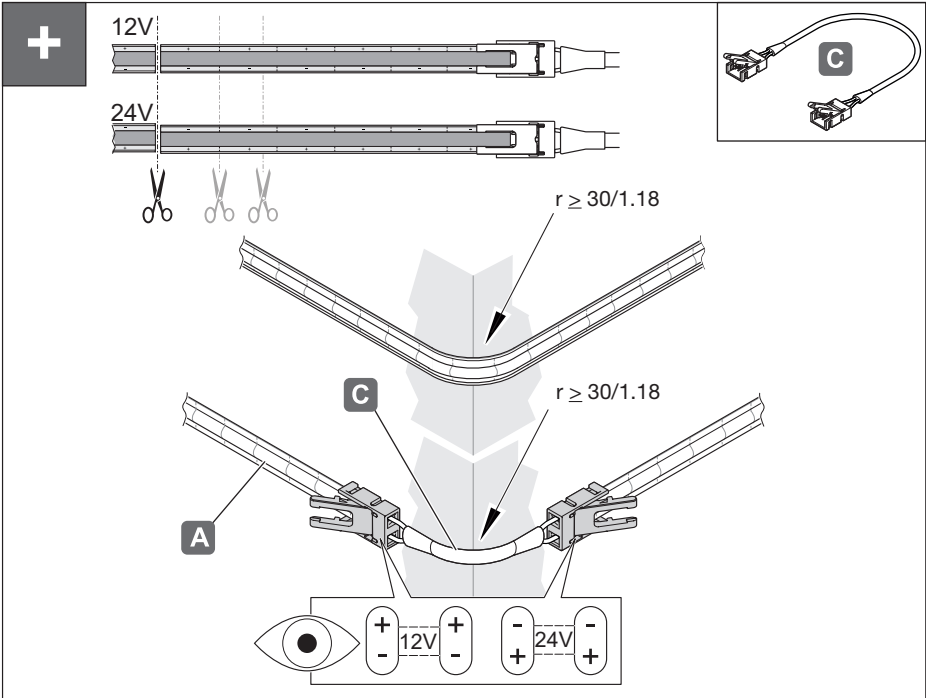
732.28.376

HDE 14.03.2024

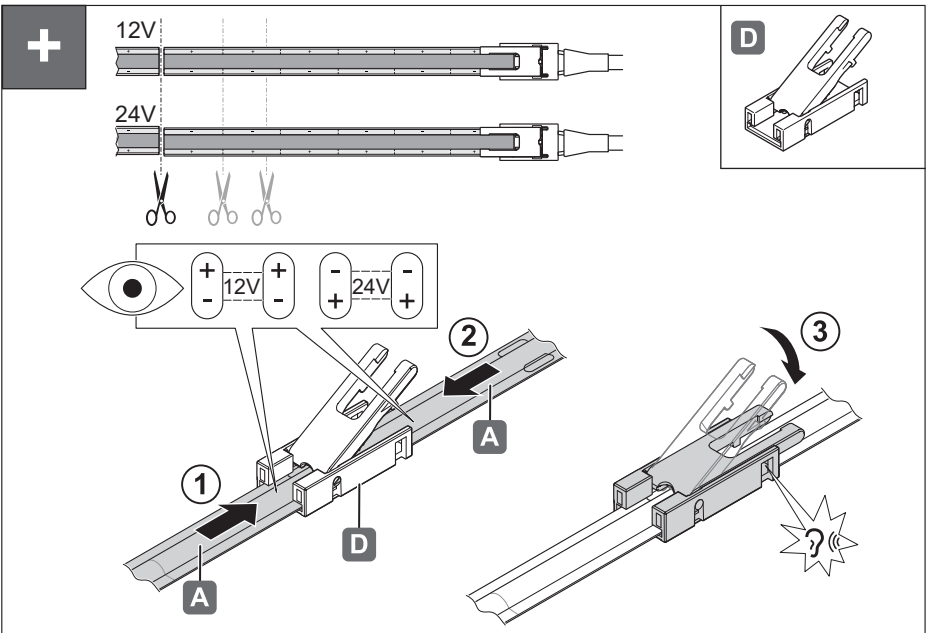


732.28.376





732.28.376



HDE 14.03.2024