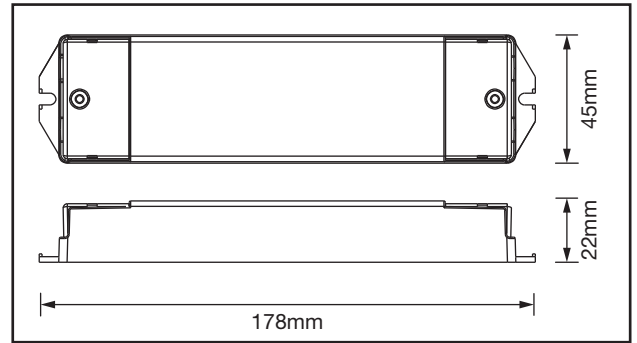
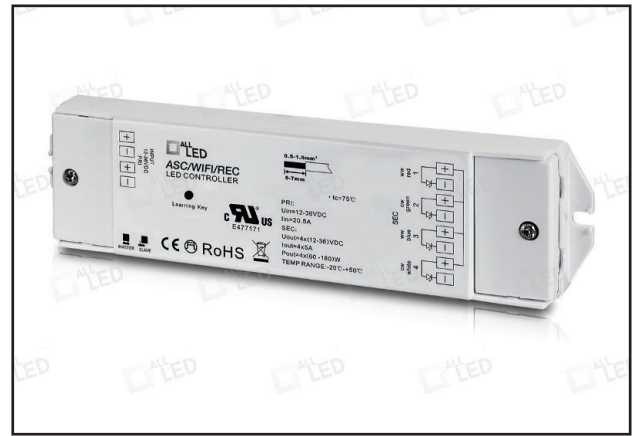


ASC/WIFI/REC

RF Receiver Constant Voltage for Single Colour, or CCT, RGB or RGBW LED Lights

PRODUCT FEATURES

- RF Receiver Constant Voltage for Single Colour
CCT
RGB
RGBW LED Lights
- 30m Uninterrupted Range
- Requires ASC/WIFI/APP/GATE for WiFi / App Control

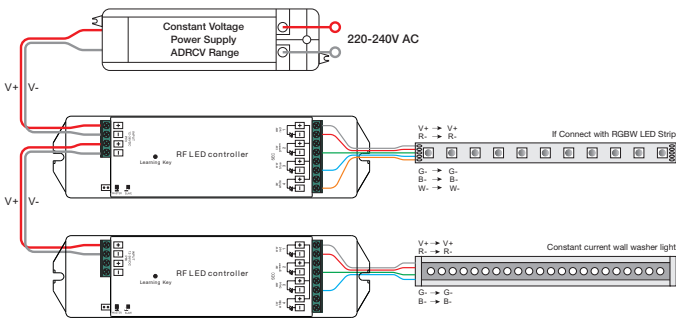


TECHNICAL SPECIFICATIONS

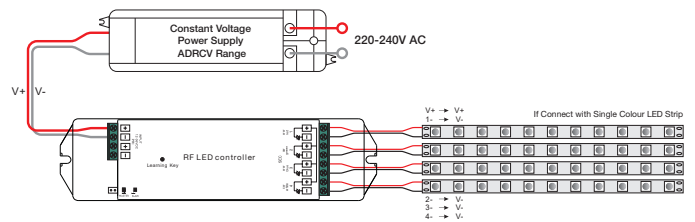
PRODUCT CODE	ASC/WIFI/REC
Frequency	868 MHz
Operating Voltage	12-36V DC
Max Output	4x 12V @60W 4x 24V @120W 4x 36V @180W
Max Output Current	4x 5A

PRODUCT FEATURES

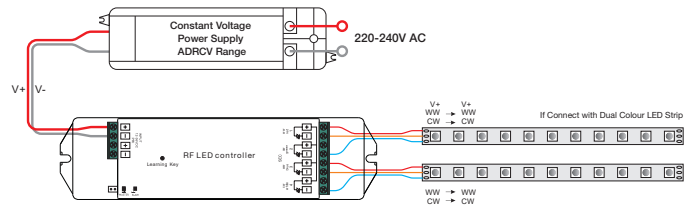
With RGB/RGBW colour LED



With single colour LED



With dual colour LED



Search 'All LED'

