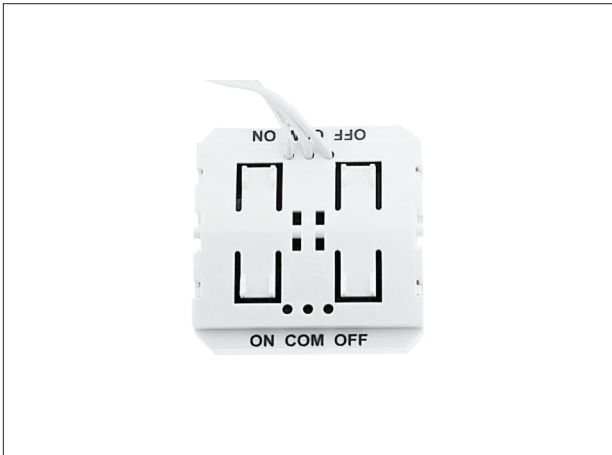


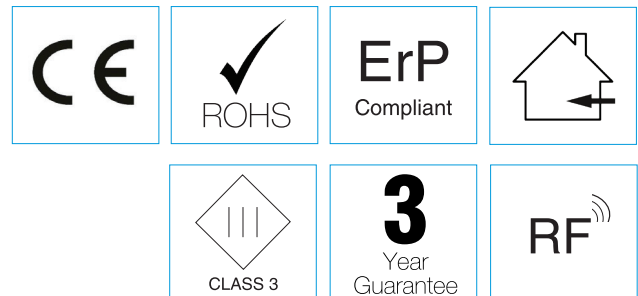
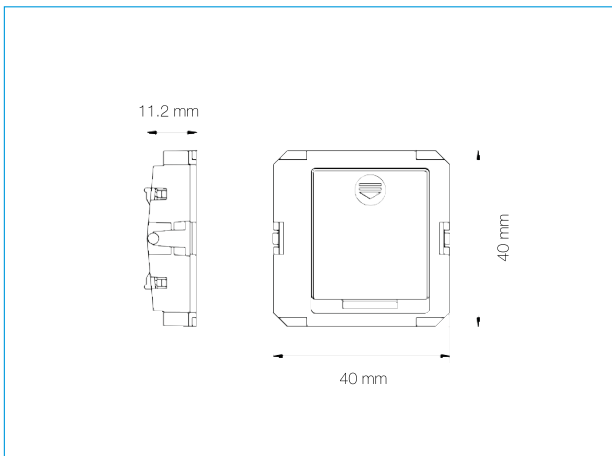
TECHNICAL DATASHEET

ASCRF/MOD
Wireless LED Strip Dimming Wall Switch Module



PRODUCT FEATURES

- Fits behind wall switch, can be used with a centre off retractive switch
- 20m Range (Uninterrupted)
- Long Life Battery (Included)
- For Use with all ASCRF Range



PRODUCT CODE	ASCRF/MOD
Power Input Range	-
Battery Type	CR2430
Max Operating Distance	20M (Open Area)
Maximum Load (Output)	-
Signal Type	RF
IP	IP20
Operating Temperature	-10~+50°C