

Photocell Adjustment

- Please using enclosed black opaque bag in the packing when you testing in daytime.
- When the bag mantles the detection window of the Photocell, the ambient light of the items will be dark, it makes lamp on.
- When take off this bag, it makes lamp off by automatically.

Note:

- In front of the photocell, it should be no obstruction affecting to accept natural light.
- In front of the photocell, it should be no swaying object.

Technical data

Supply Voltage: 220-240V~

Power Frequency: 50Hz

Rated Current: 10A

Ambient Light: < 10-100Lux (ON)

> 40-250Lux (OFF)

Working Temperature: -20~ +40°C

Working Humidity: < 93%RH



Conformity with all relevant UKCA Directive requirements.



Conformity with all relevant EC Directive requirements.



The power supply is Double Insulated and does not require connection to an Earth circuit.



Waste electrical products should not be disposed of with household waste. Please recycle where facilities exist. Check with your Local Authority or local store for recycling advice.



This product is not suitable for dimming.



This product is rated at IP44.

Care and Safety

We recommend cleaning with a soft dry cloth. Do not use solvents or abrasive cleaners as these could damage the finish.

For your safety, always switch off the power supply before changing lightbulbs, or cleaning.

Instruction manual

ES-G05A WALL

90981



V4 11/07/2022

UK Manufacturer: BH17 7BY

EU Manufacturer: Brilliant AG,
Brilliantstrasse 1, D-27442 Gnarrenburg


saxby
lighting

www.saxbylighting.com

saxby
lighting

Thank you for purchasing this light fitting. Please read the instructions carefully before use to ensure safe and satisfactory operation of this product. Please retain these instructions for future reference.

Warning

 This product is double insulated and does not require connection to an Earth circuit.

Please read these instructions carefully before commencing any work.

This unit must be fitted by a competent and qualified electrician.

Install in accordance with the IEE Wiring regulations and current Building Regulations.

Check the pack and make sure you have all the parts listed.

To prevent electrocution switch off at the mains supply before installing or maintaining this fitting. Ensure other persons cannot restore the electrical supply without your knowledge.

If you are in any doubt, please consult a qualified electrician.

If replacing an existing fitting, make a careful note of the connections.

This unit should be connected to a fused circuit.

Waste electrical products should not be disposed of with household waste. Please recycle where facilities exist. Check with your local authority or retailer for recycling advice.

Layout

Avoid positioning near to trees or shrubs which may cause false triggering during inclement weather.

Avoid pointing at or positioning close to heat sources such as flues or heat extraction units, which may cause false triggering.

Avoid pointing at bright lights as unit will not function when you set Lux control level to dark.

Avoid a position where direct light from any lightning unit can fall on the control.

Avoid locating near electromagnetic fields.

Choose a position out of direct sunlight if possible--this is not essential but is desirable.

Mount out of reach of non-authorized persons.

The mains supply cable must have a minimum cross section area of 1.0mm².

Cables must be protected using suitable conduit or plastic trunking.

Installation

Existing fittings must be completely removed before installation of a new product. Before removing the existing fitting, carefully note the position of each set of wires.

Note that the switch is turned off before installation.

Ensure that the screws and cable entry points are sealed to maintain the IP rating of the product.

After deciding the layout of the light fittings ensure that the cables are long enough to connect to desired positions.

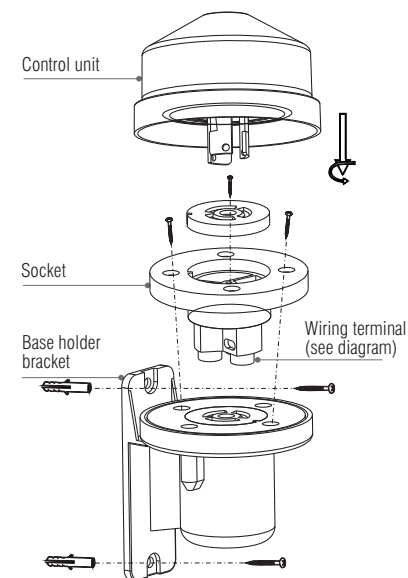
• Separate the three units--the Base holder bracket, the Socket and the Control unit.

• According to the correct installation place, Drill two mounting holes for Base holder bracket using the bracket as a template and fix to wall or post with the enclosed inflated screws. Make sure the Base holder bracket is correctly oriented.

• Install back the Socket and Control unit.

• Connect the wire with the product as per the connection wire diagram.

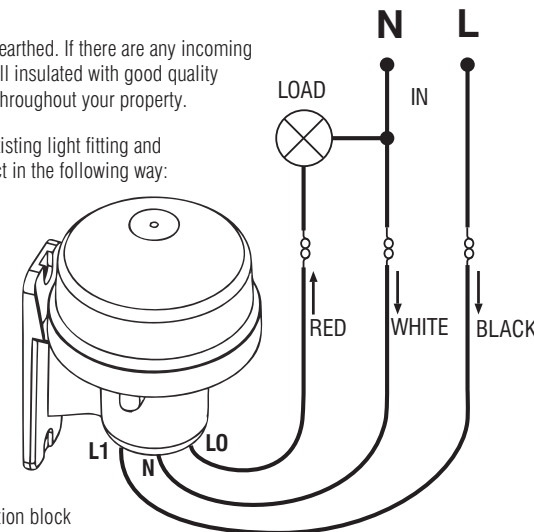
• Switch on the power, and then test it.



Wiring

This product is double insulated and must not be earthed. If there are any incoming earth cables, they must be joined together and well insulated with good quality insulation tape. This is to ensure earth continuity throughout your property.

Having correctly identified the wiring from your existing light fitting and connect to the connection block inside the product in the following way:



Check that...

You have correctly identified the wires

The connections are tight

No loose strands have been left out of the connection block

The cable clamp is fitted over the wires.