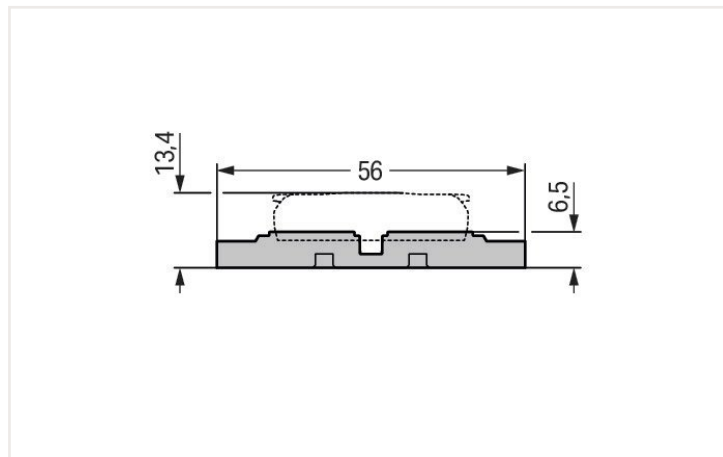
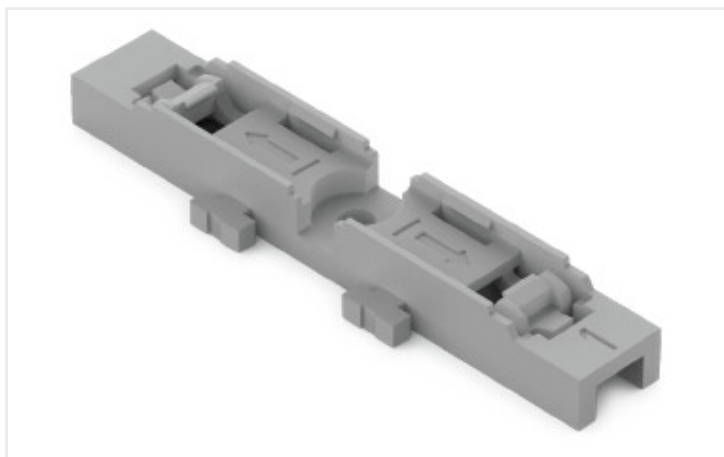


Data sheet | Item number: 221-2521

Mounting carrier; 1-way; for inline splicing connector with lever; for screw mounting;
gray

<https://www.wago.com/221-2521>



Physical data

Width	11.8 mm / 0.465 inches
Height from the surface	6.5 mm / 0.256 inches
Depth	56 mm / 2.205 inches

Material data

Note (material data)	Information on material data can be found here
Color	gray
Fire load	0 MJ
Weight	1.6 g